



®

HAIDA

INTERNATIONAL

IPX5/X6 Water Shower Test Chamber



Haida International Equipment

-Accelerated Environmental Test Solution

Don't guess before you test

Equipment Description

The machine is main used to test water proof performance of outdoor products, like electrical & electronic, lights which under water showering environment.

General Specifications

Machine Dimensions: (W x D x H) 1000*1100*3500 mm

Power supply source: 3-phase, AC380V±10%, 50Hz

Gross Weight: 500kg

Main Parameter

Internal dimension	800 * 800 * 800mm	
Internal Chamber material	Stainless steel #304	
External Chamber material	Stainless steel	
Observation window	Waterproof Toughened Glass	
IP Code	IPX5	IPX6
Inner diameter of nozzle	φ6.3mm	φ12.5mm
Spray flow	12.5±1(L/min)	100±5(L/min)
Distance between nozzle to sample surface	2.5 ~ 3m	
Control system	PLC Touch Screen controller	
Spraying duration time	3, 10, 30, 9999min (adjustable)	
Operating time	1 – 9999 min (adjustable)	
Water cycling system	Built-in bottom chamber for water recycling	
Turntable	φ500mm, rotate speed: 3±1R/min	



- A: IPX5/X6 Spray Nozzle
- B: Water Spray Cabinet
- C: PLC Controller
- D: Speed Regulator for Turntable
- E: IPX5/X6 Water Flow Meter
- F: Pressure Gauge
- G: Observation Window
- H: Water Storage Tank

Application Standards:

IEC 60529 14.2.5 - 14.2.6

14.2.5 Test for second characteristic numeral 5 with the 6,3 mm nozzle

The test is made by spraying the enclosure from all practicable directions with a stream of water from a standard test nozzle as shown in figure 6.

The conditions to be observed are as follows:

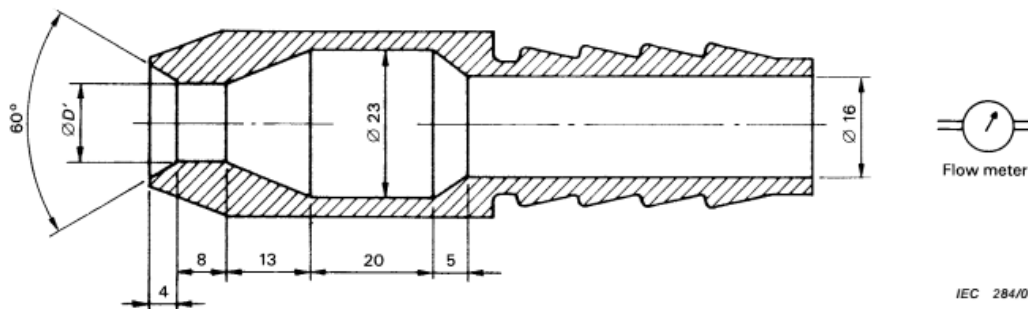
- internal diameter of the nozzle: 6,3 mm;
- delivery rate: 12,5 l/min \pm 5 %;
- water pressure: to be adjusted to achieve the specified delivery rate;
- core of the substantial stream: circle of approximately 40 mm diameter at 2,5 m distance from nozzle;
- test duration per square metre of enclosure surface area likely to be sprayed: 1 min;
- minimum test duration: 3 min;
- distance from nozzle to enclosure surface: between 2,5 m and 3 m.

14.2.6 Test for second characteristic numeral 6 with the 12,5 mm nozzle

The test is made by spraying the enclosure from all practicable directions with a stream of water from a standard test nozzle as shown in figure 6.

The conditions to be observed are as follows:

- internal diameter of the nozzle: 12,5 mm;
- delivery rate: 100 l/min \pm 5 %;
- water pressure: to be adjusted to achieve the specified delivery rate;
- core of the substantial stream: circle of approximately 120 mm diameter at 2,5 m distance from nozzle;
- test duration per square metre of enclosure surface area likely to be sprayed: 1 min;
- minimum test duration: 3 min;
- distance from nozzle to enclosure surface: between 2,5 m and 3 m.

Drawing for IPX5/X6 Spray nozzle:

Dimensions in millimetres

$D' = 6,3$ for the test of 14.2.5 (second characteristic numeral 5)

$D' = 12,5$ for the test of 14.2.6 (second characteristic numeral 6)



Haida International Equipment Co., Ltd
 Contact person: Sandy Yuan
 Mobile / WhatsApp: +86 13528531540
 E-mail: sandy@qc-test.cn
 Web: www.haidatestequipment.com